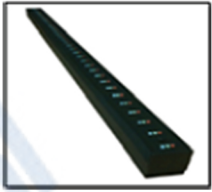


LED Mesh Display



Product Features

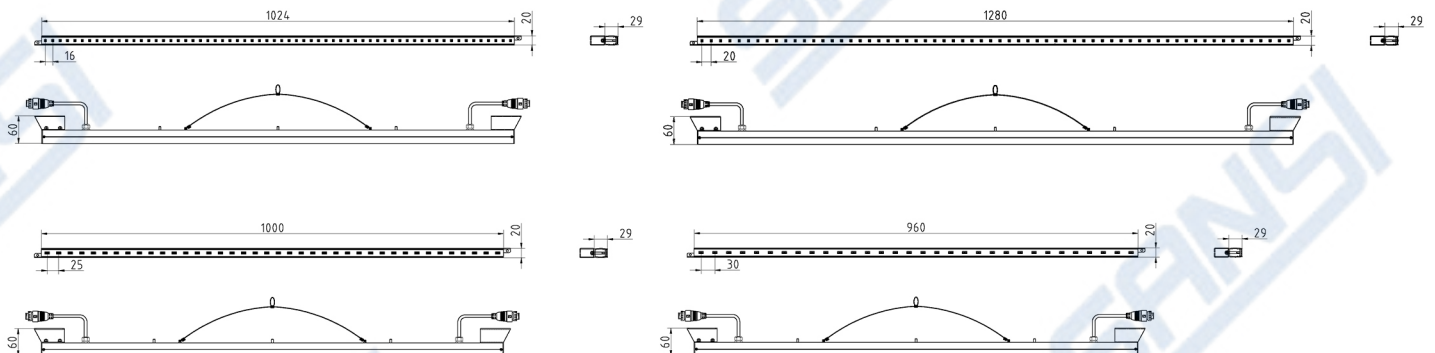
- ★ Customization available.
- ★ Glue feeding structure, IP67.
- ★ Innovative aluminum profile structure design, reliable and excellent heat dissipation.
- ★ Quick plug connector, module design and easy to assemble.
- ★ Loop communication backup, preventing one signal failure from affecting the whole operation of the system.
- ★ High gray scale and high refresh rate with PWM IC.
- ★ Wire rope protection design to prevent accidental drop during installation.

Technical Parameters H29D20-SMD

Series	H29D20-SMD			
LED	SMD			
Pixel Pitch (Customizable)	P16	P20	P25	P30
Pixel configuration	1SMD	1SMD	2SMD	2SMD
Brightness	≥2cd	≥2cd	≥6cd	≥6cd
Appearance Size(L×H×D)	1024 mm×29mm×20mm			
Length Customizable	1280 mm×29mm×20mm			
	1000 mm×29mm×20mm			
	960 mm×29mm×20mm			
Shell Material	Aluminum			
Weight	0.9kg/m			
Color Processing	16 bit			
Viewing Angle (H/V)	140°/ 140°			
Color Temperature	3000 ~ 9500K (Adjustable)			
Input Voltage	DC 24V			
Unit Power Consumption	0.3 W/pixel		0.6 W/pixel	
Max. Power Consumption	19.2W	19.2W	24W	19.2W
IP rating	IP67			
Operating Temperature	-10~50 °C			
Operating Humidity	10~80% RH			
LED Lifetime	100,000 hrs			

*Parameters above are typical values, which may be adjusted according to actual project requirements.

Structure diagram H29D20-SMD

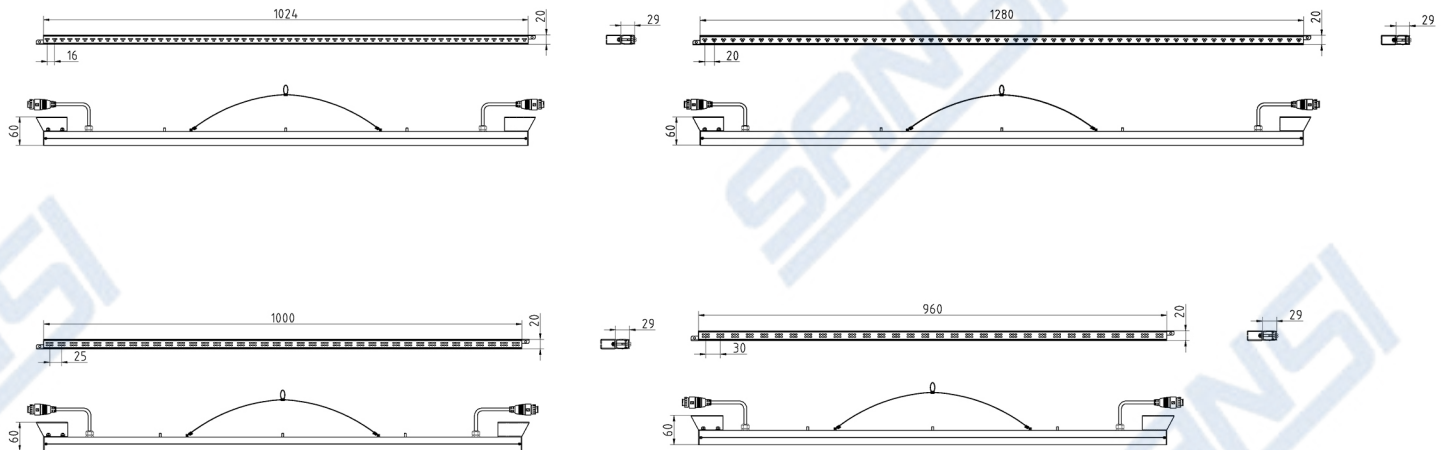


Technical Parameters H29D20-DIP

Series	H29D20-DIP			
LED	DIP			
Pixel Pitch (Customizable)	P16	P20	P25	P30
Pixel configuration	1R1G1B	1R1G1B	3R2G1B	3R2G1B
Brightness	≥6cd	≥6cd	≥12cd	≥12cd
Appearance Size(L×H×D)	1024 mm×29mm×20mm			
Length Customizable	1280 mm×29mm×20mm			
	1000 mm×29mm×20mm			
	960 mm×29mm×20mm			
Shell Material	Aluminum			
Weight	1.0kg/m			
Color Processing	16 bit			
Viewing Angle (H/V)	120°/ 60°			
Color Temperature	3000 ~ 9500K (Adjustable)			
Input Voltage	DC 24V			
Unit Power Consumption	0.3 W/pixel		0.5 W/pixel	
Max. Power Consumption	19.2W	19.2W	20W	16W
IP rating	IP67			
Operating Temperature	-10~50 °C			
Operating Humidity	10~80% RH			
LED Lifetime	100,000 hrs			

*Parameters above are typical values, which may be adjusted according to actual project requirements.

Structure diagram H29D20-DIP

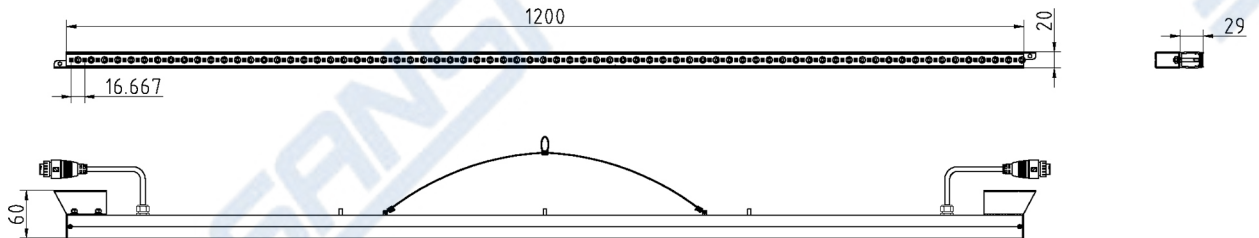


Technical Parameters H29D20-RDBW

Series	H29D20-RDBW
LED	SMD RDBW
Pixel Pitch (Customizable)	P16.667
Appearance Size(L×H×D) Length Customizable	1024 mm×29mm×20mm
Shell Material	Aluminum
Weight	0.9kg/m
Color Processing	16 bit
Viewing Angle (H/V)	120°/ 60°
Color Temperature	5000K (Adjustable)
Input Voltage	DC 24V
Unit Power Consumption	0.4W/pixel
Max. Power Consumption	30W
IP rating	IP67
Operating Temperature	-10~50 °C
Operating Humidity	10~80% RH
LED Lifetime	100,000 hrs

*Parameters above are typical values, which may be adjusted according to actual project requirements.

Structure diagram H29D20-RDBW



Cases

